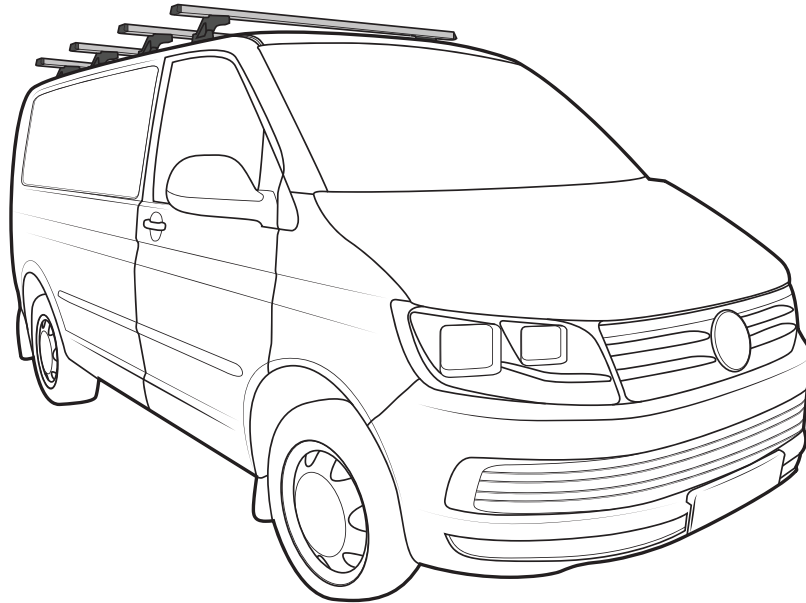




# RHINO-RACK

## RLTFT5 VW T5,T6 Transporter Fitment

**Important:** Please read these instructions carefully prior to installation. Please refer to your fitting instruction to ensure that the Roof Rack System is installed in the correct location. Check the contents of kit before commencing fitment and report any discrepancies. Place these instructions in the vehicle's glove box after installation is complete.



- |   |  |
|---|--|
| 1. <input type="checkbox"/> Check Part No./Kit is correct | 2. <input type="checkbox"/> Read through instruction before installing |
| 3. <input type="checkbox"/> Fit roof rack accessory       | 4. <input type="checkbox"/> Check and recheck all fasteners are secure |

**Maximum carrying capacity: 2 Bars 80kg (176lbs), 3 Bars 120kg (264lbs)** including the weight of the rack system. **Please refer to your vehicle manufacturers handbook for maximum carrying capacity.** Always use the lower of the two figures. Load must be evenly distributed over the entire basket.

**Warning:** Do not attempt to fit the rack system to your vehicle unless you fully understand these fitting instructions. Please direct any questions regarding fitting to the dealer from where the roof racks were purchased.

**Use only non-stretch fastening ropes or straps.**

**Recommendations:** It is essential that all bolt connections be checked after driving a short distance when you first install your roof racks. Bolt connections should be checked again at regular intervals (once a week is enough, depending on road conditions, usage, loads and distances travelled). You should also check the roof racks each time they are re-fitted. Always make sure to fasten your load securely. Please also ensure that all loads are evenly distributed and that the centre of gravity is kept as low as possible and must be entirely contained within the extents of the roof racks. **Rack System must be removed when putting vehicle through an automatic car wash.**

**Caution:** The handling characteristics of the vehicle changes when you transport a load on the roof. For safety reasons we recommend you exercise extreme care when transporting wind-resistant loads. Special consideration must be taken into account when cornering and braking.

**Off-road use:**

The Track Rack System may be used in off road applications, however a safety factor of 1.5 is enforced. That is, maximum permissible off road load is **80kg = 53kg (116lbs), 120kg = 80kg (176lbs)**. Although the crossbars are tested and approved to AS1235-2000/ 15011154, off-road conditions can be much more rigorous. Extreme care must be taken in off road conditions

**Note for Dealers and Fitters:**

It is your responsibility to ensure these fitting instructions are given to the end user or client.

Rhino-Rack 3 Pike Street, Rydalmere,

NSW 2116, Australia.  
(Ph) (02) 9638 4744  
(Fax) (02) 9638 4822

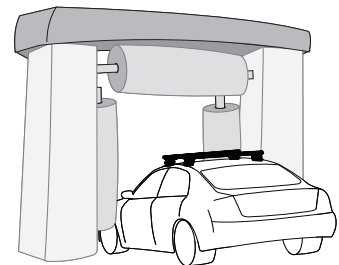
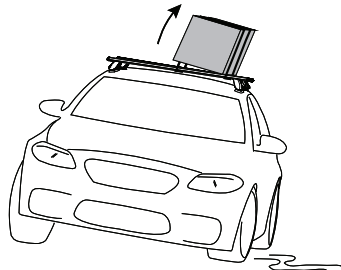
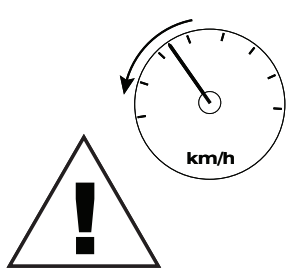
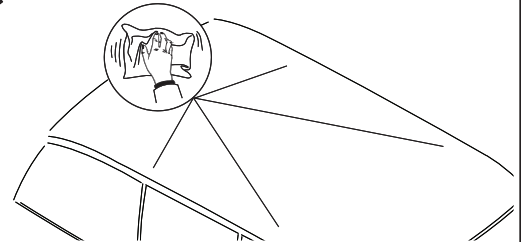
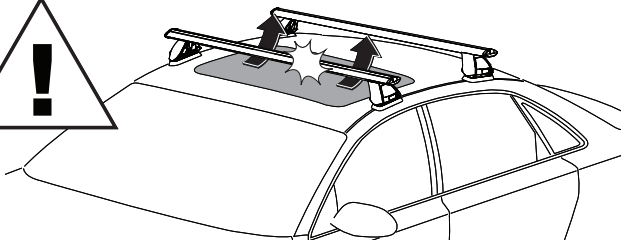
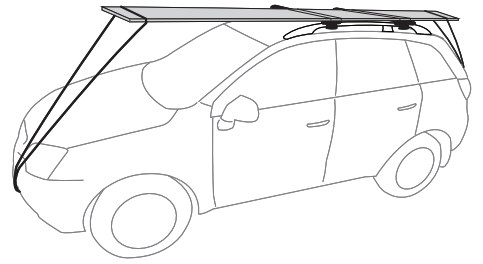
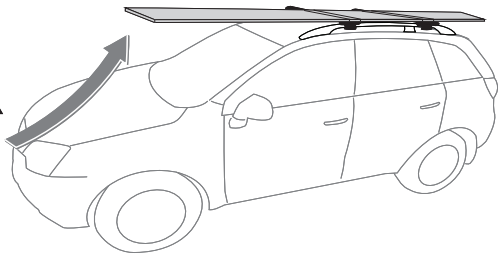
Document No: RR117  
Prepared By: Kayle Everett  
Authorised By: Chris Murty

Fit Time: 1 hour  
Issue No: 03  
Issue Date: 26/02/2016

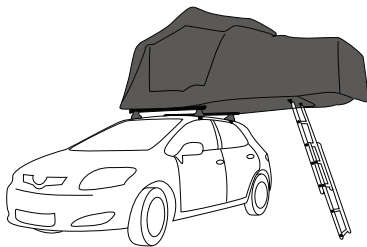
These instructions remain the property of Rhino-Rack Australia Pty. Ltd. and may not be used or changed for any other purpose than intended.



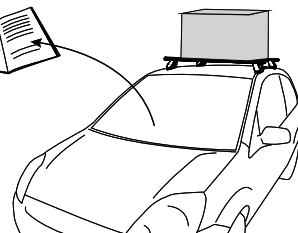
# RLTFT5 VW T5,T6 Transporter Fitment



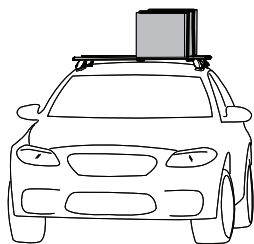
**Ensure Ladder is well supported on the ground to help support tent. Take extreme caution when climbing heights above 1.2m/4ft.**



**? kg**



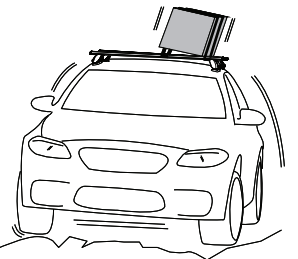
When these roof racks are to be used on a vehicle that is driven off sealed roads, the maximum roof rack load rating should be **divided by 1.5**. Do not forget to subtract 5kg from your maximum carrying capacity due to the weight of the crossbars and legs.



**2 Bars**  
80kg/176lbs  
**3 bars**  
120kg/264lbs  
**load rating**  
(Urban road)



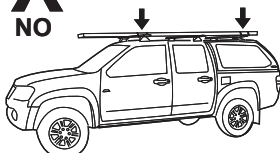
**2 Bars**  
53kg/116lbs  
**3 Bars**  
80kg/176lbs  
**load rating**  
(Off road  
- urban / 1.5)



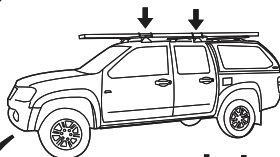
## WARNING! Important Load Carrying Instructions

With utility vehicles, the cabin and the canopy move independently. Roof racks and vehicle can be damaged if the item transported is rigidly fixed at points on both the cabin and canopy. Instead, rigidly fix to either the cabin roof racks or the canopy roof racks.

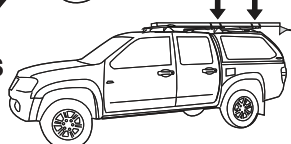
**X**  
**NO**



**✓**  
**YES**

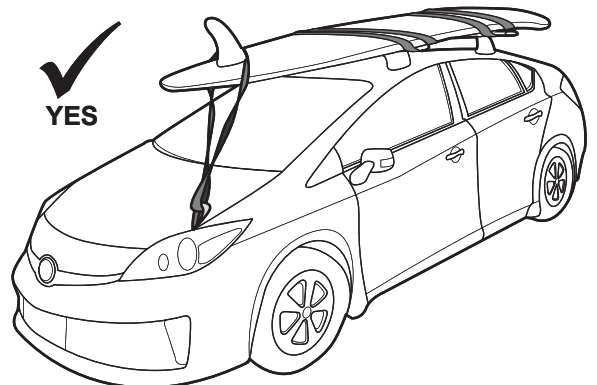


**✓**  
**YES**



Paddle/ Surfboards should be fixed to the front of the vehicle.

**✓**  
**YES**

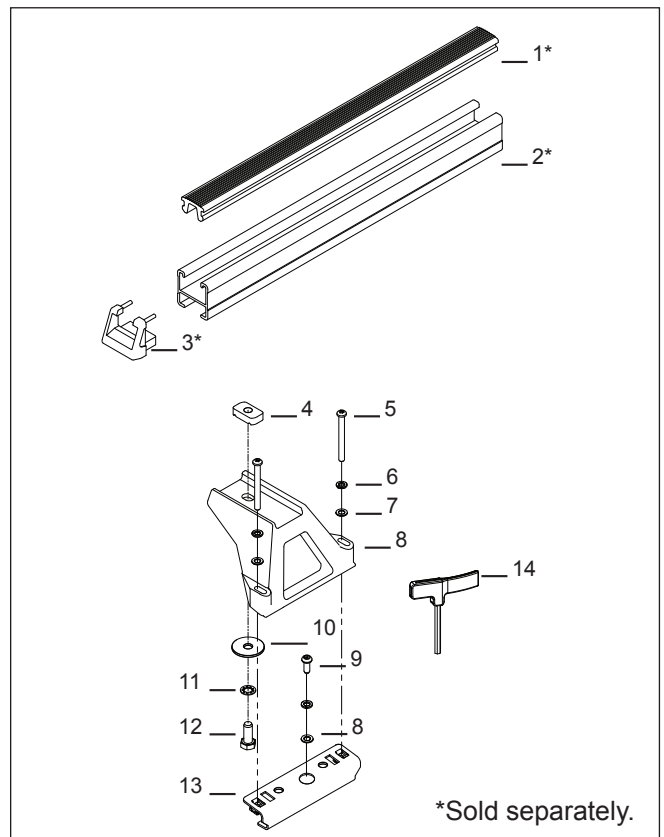




# RLTFT5 VW T5,T6 Transporter Fitment

## Parts List

Item	Component Name	Qty	Part No.
1*	Heavy Duty Rubber Buffer	2-4	R006
2*	Heavy Duty Crossbar	2-4	A022
3*	Heavy Duty Bar End Cap	2-8	M002
4	M10 Channel Nut	4-8	N024
5	M6 x 40mm Button Security Screw	8-16	B085
6	M6 Spring Washer	6-24	W004
7	M6 x 12.5mm Flat Washer	6-24	W003
8	RLTF Heavy Duty Leg	4-8	M010
9	M6 x 20mm Button Security Screw	4-8	B062
10	M10 x 38mm x 2.5mm Flat Washer	4-8	W022
11	M10 Internal Shake Proof Washer	4-8	W021
12	M10 x 25mm Hex Bolt	4-8	B071
13	VW T5 Heavy Duty Bracket	4-8	C341
14	5mm Torque Security Allen Key	4-8	TORKEY-S
15	Fitting Instruction	1	RR117



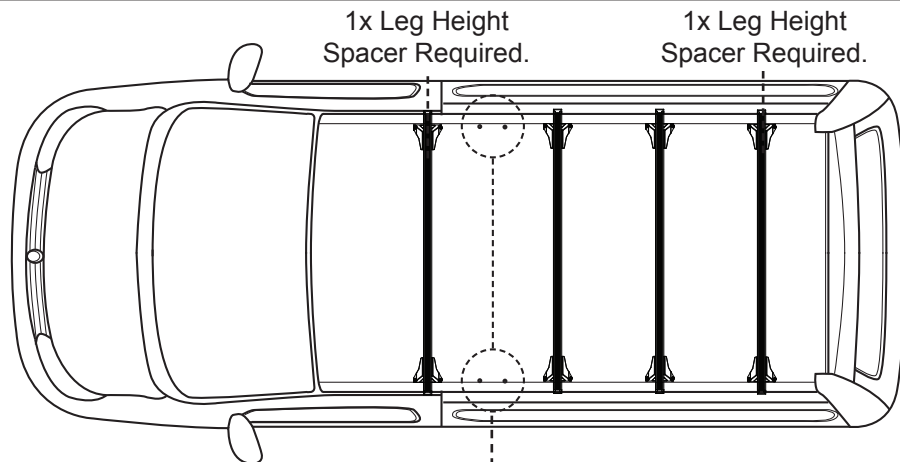
### Tools Required

Security type allen key, provided in kit  
 5/8" spanner  
 Flat bladed screwdriver  
 Rubber mallet

### Note

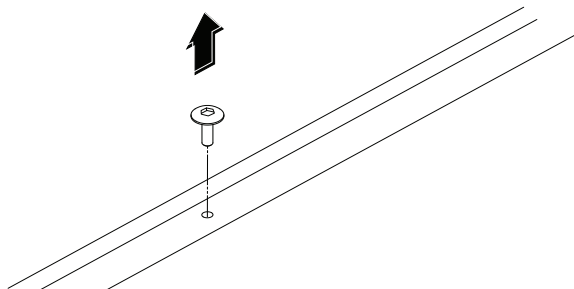
The front crossbar on the four system is fitted to the front fixing points as per the layout.

### Crossbar Layout: Top View

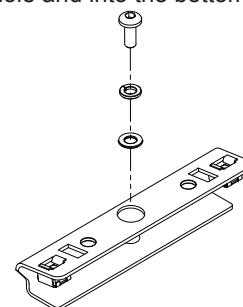


Do not use these mounting points.

- 1 Remove the roof rack attachment point plugs using a M5 Allen key. Store the screws in a safe place for replacement when the roof racks are removed.



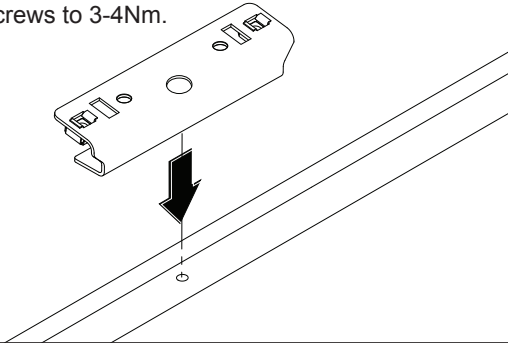
- 2 Assemble the spring and flat washer onto the M6 x 20mm security screw. Insert the screw through the bracket top hole and into the bottom mounted hole.



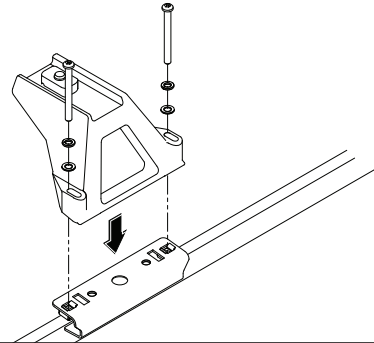


## RLTFT5 VW T5,T6 Transporter Fitment

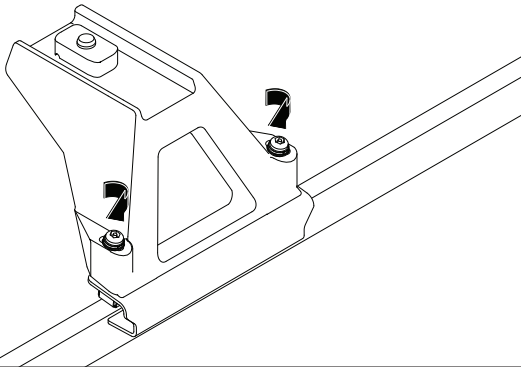
- 3** Place the leg brackets into the roof rack attachment points. Insert the attachment screws into the threaded holes, start the screws. The brackets may have to be lifted to start the screws in the roof brackets. Tighten all bracket screws to 3-4Nm.



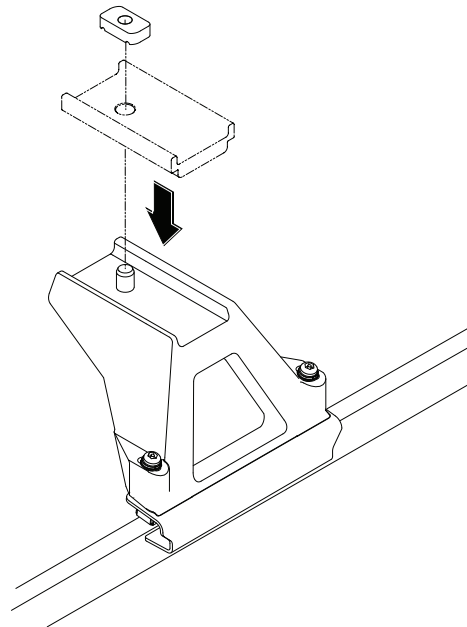
- 4** Place the support leg onto the bracket. Assemble the spring and flat washers onto the M6 x 45mm security bolts. Insert the leg attachment bolts through the leg and into the M6 cage nuts in the bracket.



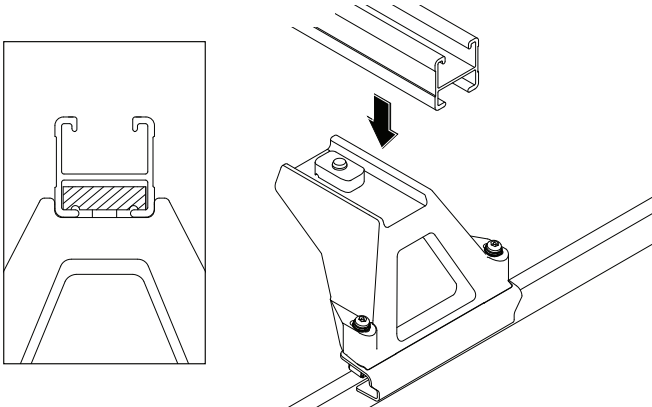
- 5** Finger tighten the support leg attachment bolts, as some adjustment may be required later.



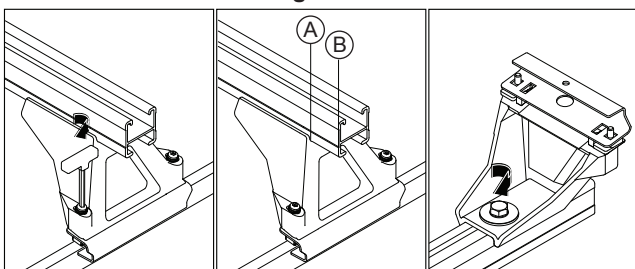
- 6** **ASSEMBLING LEG HEIGHT SPACERS (Front and Rear crossbars, see page 3).**  
Undo the channel nut, place the required amount of leg height spacers onto the support legs and finger tighten the channel nut.



- 7** Place the crossbar onto the support legs. Push the crossbar attachment bolt up and turn the bolt so that the channel nut is located fully across the crossbar. Finger tighten the crossbar attachment bolts. Check that the channel nut is fully located across the crossbar.



- 8** Tighten all legs to bracket attachment bolts. Ensure the crossbar overhang (A) (B) is equal on both sides, re-adjust if required. Tighten all crossbar attachment bolts to 4-5Nm. **Do not over tighten.**



- 9** Insert the crossbar buffer strip into the top of the crossbar, check that the rubber is fully inserted, then fit the end caps into the crossbar ends, a rubber mallet maybe required to fit the end caps.

